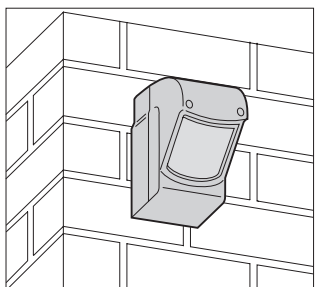


ARGUS SURFACE-MOUNTED MOVEMENT DETECTORS

ARGUS 70, the reliable front door watchman

polar white (art. no. 545719)

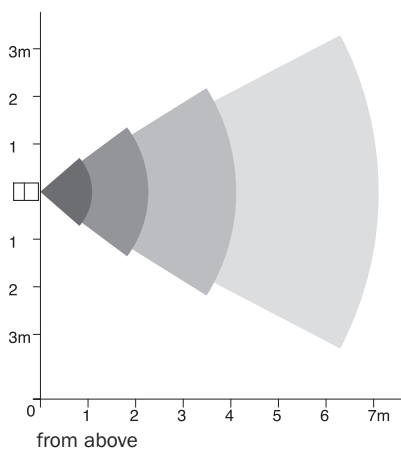
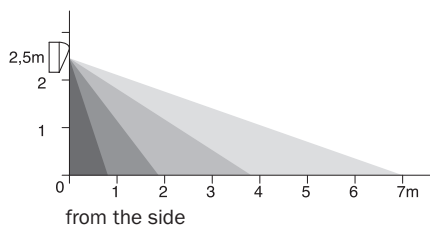
dark brazil (art. no. 545715)



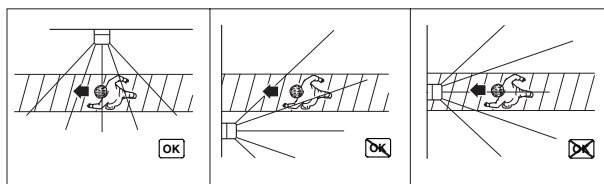
- 70° monitoring up to approx. 7 m
- for smaller monitoring areas
- brightness: Daytime/night-time operation, infinitely adjustable from approx. 3 to 1000 lux
- time setting 1 sec. -8 minutes
- particularly suitable for areas in which the object to be monitored moves towards the ARGUS.

Area of detection

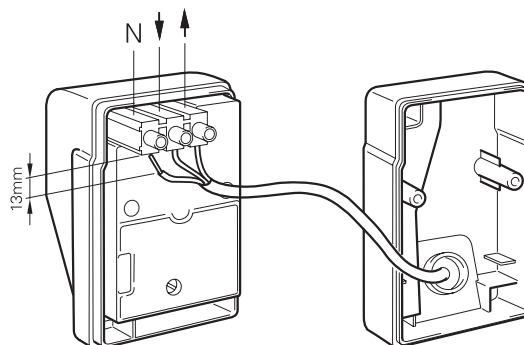
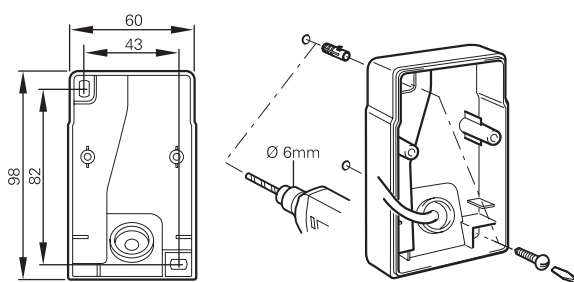
The actual values depend on a number of factors - heat source (size and temperature), direction of movement, speed, temperature difference - and can therefore be higher or lower than the values given.



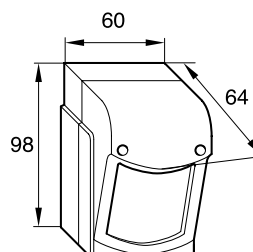
Installation



Install sideways to the direction of motion for an optimum detection of movement.



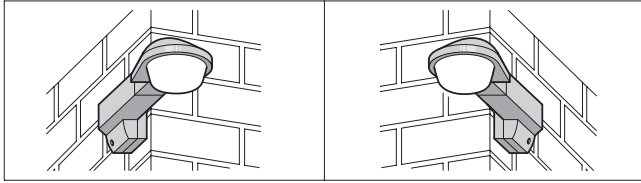
Dimensions



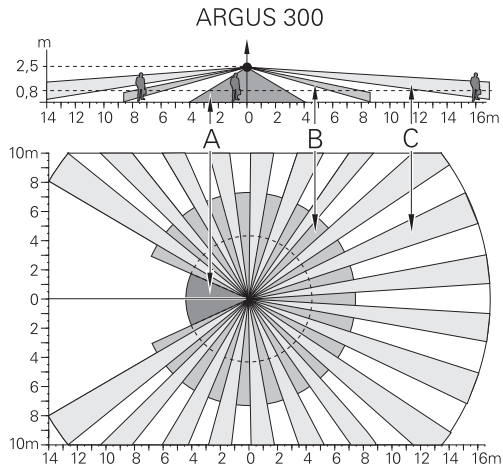
ARGUS 300

polar white
dark brazil

(Art. no. 564319)
(Art. no. 564315)



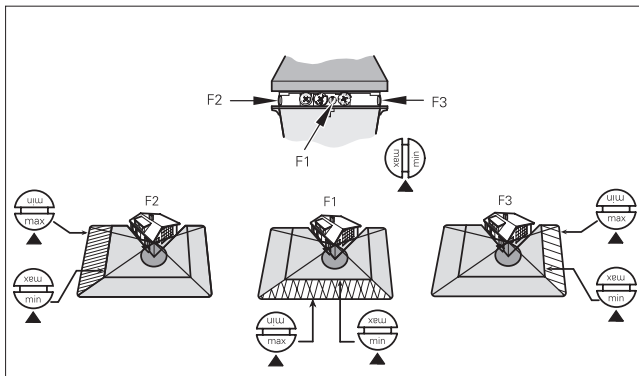
Area of detection



The specified ranges refer to average conditions and a mounting height of 2.50 m and should therefore be taken as guide values. The range can vary greatly depending on the weather.

- A = Inner safety area with a monitoring range of 360° within a radius of approx. 4 m.
- B = Middle safety zone with a detection angle of 300° and a radius of approx. 7 m.
- C = Outer safety zone with a detection angle of 300° and an area of detection of approx. 16 m x 20 m.

The 300° area of detection is divided into three sectors of 100°; the range for each sector can be set individually. In this way, rising or falling ground in the outer safety zone can be compensated per sector or the range reduced.

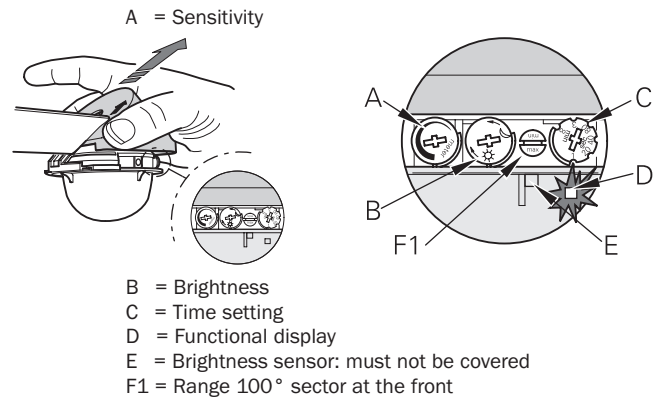


Setting the range for the three 100° sectors

Using the three adjusting screws F1, F2 and F3, the maximum and minimum range of each 100° sector is set. If the inscription "min" can be read horizontally, then this sector's range is reduced by 60%. The sensitivity setting applies to all three sectors.

Operating elements

The operating elements for setting the 6 different switching times, the brightness threshold, the entire sensitivity of all sensors and the range of each of the three 100° sectors are protected under the cap of the ARGUS that can be slid upwards. These elements are thereby best protected against moisture and manipulation by others. The cap is moved upwards by approx. 1 cm at an angle of 45°.



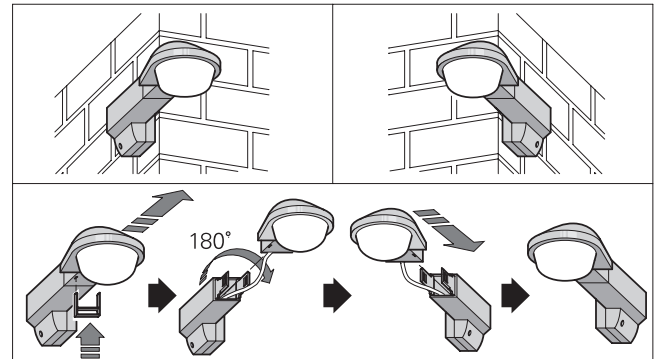
The ARGUS functions can be adjusted to suit local conditions in the best possible way. The red LED of the functional display is located under the time setting unit, behind the lens. The integrated functional display allows the ARGUS to be aligned quickly and easily at the installation site.

Aligning the ARGUS

In order to adapt the area of detection to local conditions, it is possible to rotate the lower part of the sensor head horizontally by 30° to the right or left. Also, the entire sensor head can be swivelled.

Installation

The universal housing allows these detectors to be mounted on house corners without requiring additional accessories.

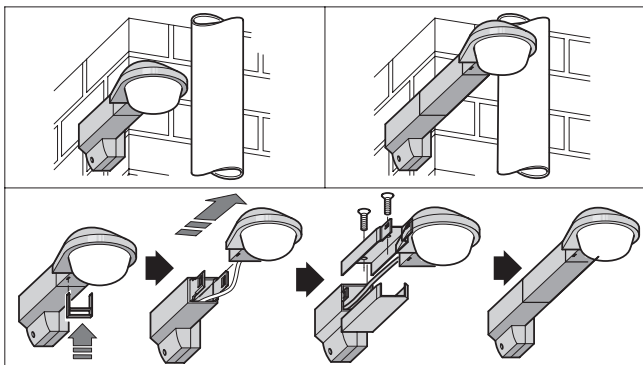


For changing sides, press the u-shaped unlocking clamp at the bottom of the ARGUS into the openings as far as possible. Remove the sensor head. Rotate the wall bracket by 180° and then put the sensor head back on.

ARGUS SURFACE-MOUNTED MOVEMENT DETECTORS

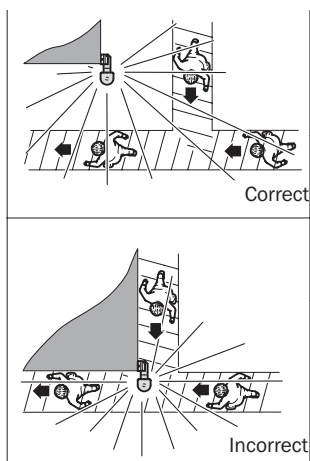
Installation of the extension

To prevent obstacles such as downpipes from blocking off the area of detection, ARGUS 300 can be installed with an extension (length 117 mm: polar white, art. no. 5643 99 and dark brazil, art. no. 564 95).

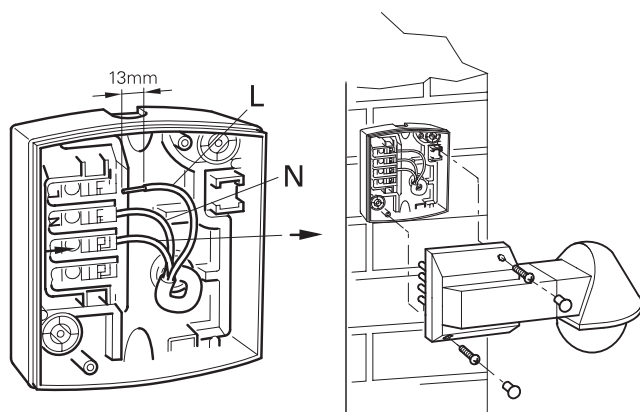
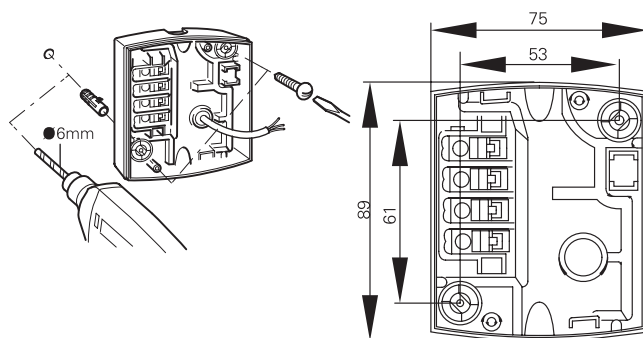
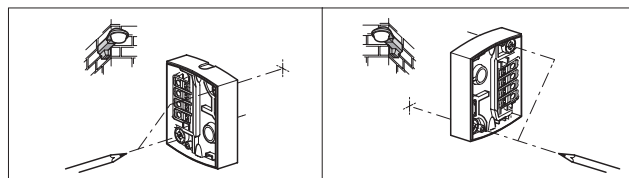
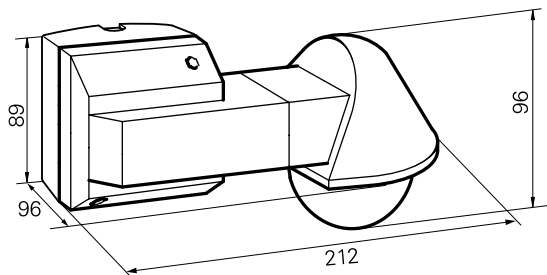


Installation sideways to the direction of motion

For the best possible movement detection, the ARGUS must be mounted sideways to the area of detection, so that movement detection occurs at a right angle. If the ARGUS is mounted in such a way that the object to be detected would move directly towards the movement detector, this would result in a significant reduction of the range.



Dimensions



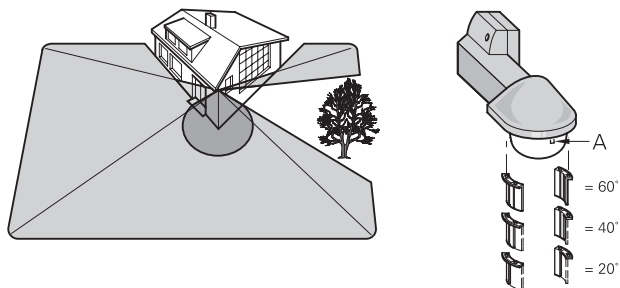
Blocking off certain areas from view

The supplied blanking inserts can be used to block off unwanted areas and sources of interference from the area of detection. Each blanking insert blocks off an area of 60° and is divided into 3 segments of 20° each.

These segments can be separated individually.

A = Light-sensitive switch

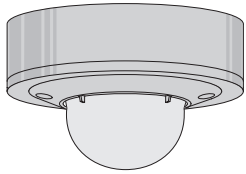
The light-sensitive switch at the front must not be covered by blanking inserts, otherwise this would reduce light sensitivity (allow for opening in blanking insert).



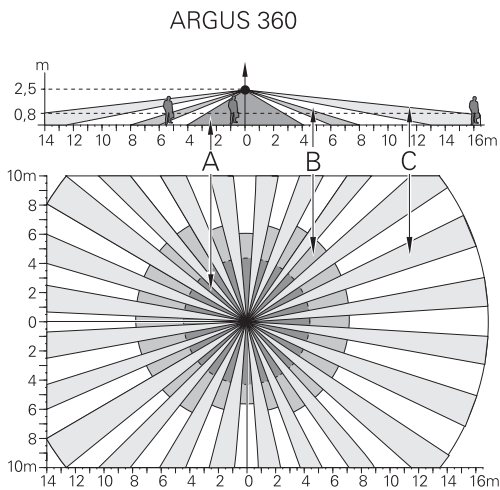
ARGUS 360

polar white
dark brazil

(Art. no. 564419)
(Art. no. 564415)



Area of detection

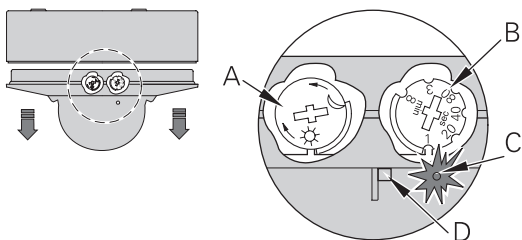


The specified ranges refer to average conditions and a mounting height of 2.50 m and should therefore be taken as guide values. The range can vary greatly depending on the weather.

- A = Inner safety area with a monitoring range of 360° within a radius of approx. 4 m.
- B = Middle safety zone with a detection angle of 300° and a radius of approx. 7 m.
- C = Outer safety zone with a detection angle of 360° and an area of detection of approx. 30 m (16 m to the front and 14 m to the back).

Operating elements

The infinitely adjustable setting for the internal light-sensitive switch and the 6 different time settings enable the best possible adaptation to local conditions. The integrated functional display allows the ARGUS to be inspected quickly and easily at the installation site.

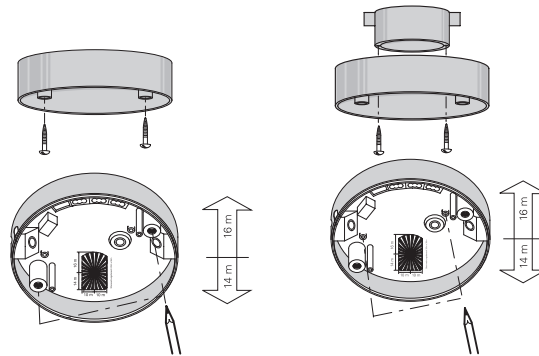


- A = Brightness
- B = Time setting
- C = Functional display
- D = Brightness sensor: must not be covered

Installation

The universal housing enables outdoor ceiling mounting.

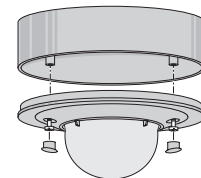
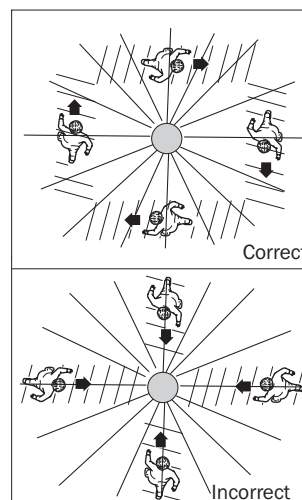
The movement detector can also be attached to a wall/ceiling installation box (corresponding with standard DIN 49073 form B) with a diameter of 60 mm.



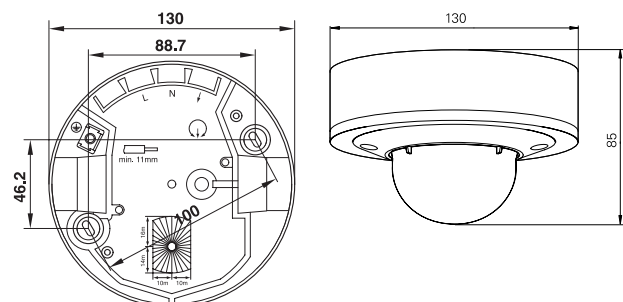
Ceiling mounting

Installation sideways to the direction of motion

For the best possible movement detection, the ARGUS must be mounted sideways to the area of detection, so that movement detection occurs at a right angle. If the ARGUS is mounted in such a way that the object to be detected would move directly towards the movement detector, this would result in a significant reduction of the range (not suitable for corridors or long passages).



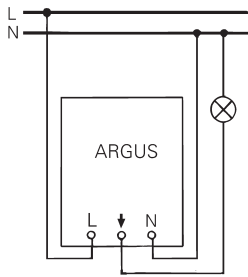
Dimensions



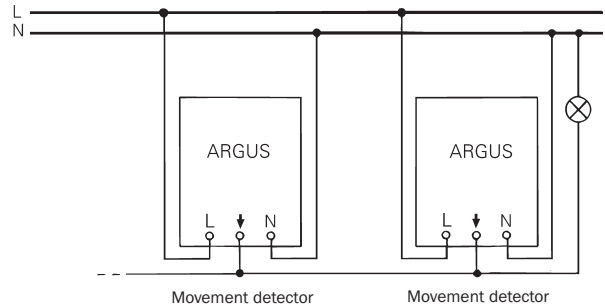
ARGUS SURFACE-MOUNTED MOVEMENT DETECTORS

Circuit diagrams

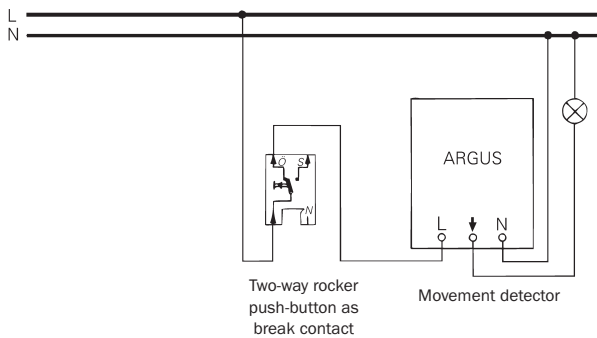
ARGUS always on the network



ARGUS always connected in parallel to the network

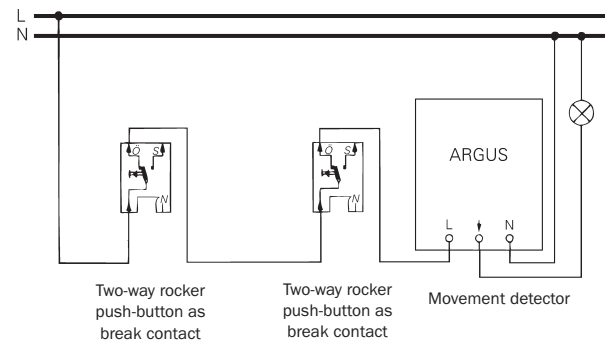


ARGUS with two-way rocker switch as break contact (for retrofitting)



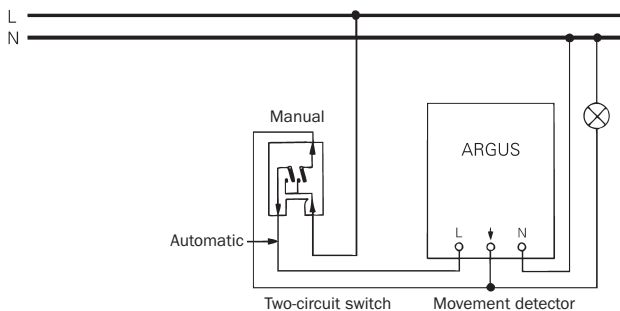
If the push-button is pressed for approx. 2 s, the ARGUS switches the light on. After the set time, the ARGUS switches it back off again automatically.

ARGUS in existing two-way circuit



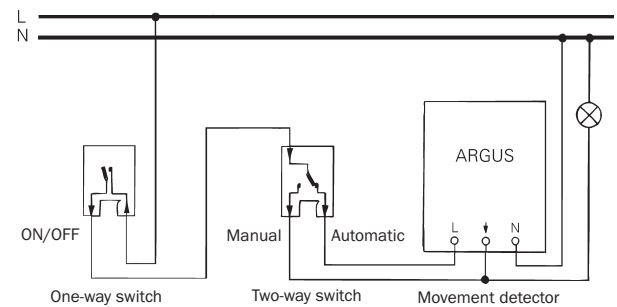
If the push-button is pressed for approx. 2 s, the ARGUS switches the light on. After the set time, the ARGUS switches it back off again automatically.

ARGUS switched with two-circuit switch



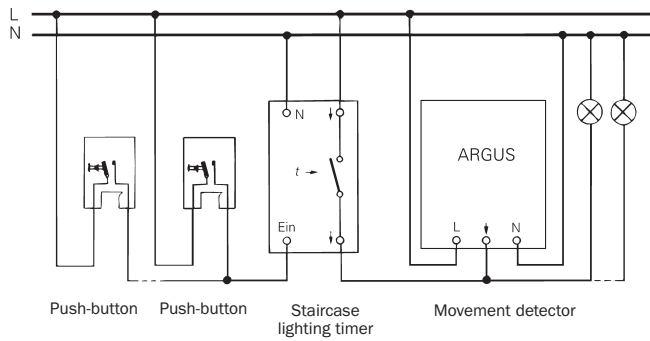
The ARGUS can be switched on and off with the help of the two-circuit switch. Manual or automatic mode depends on the position of both switches.

ARGUS switched with one-way or two-way switch



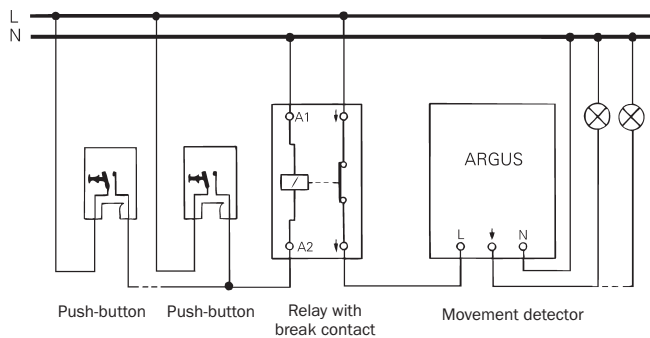
The ARGUS can be switched on and off with the one-way switch. Depending on the position of the two-way switch, manual or automatic mode is achieved.

ARGUS in parallel with staircase lighting timer



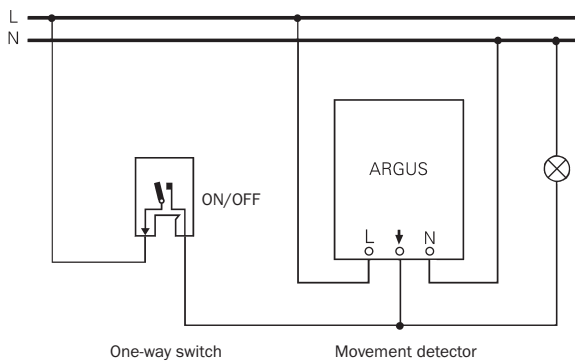
Either the ARGUS or the staircase lighting timer switches the lights on for a certain period.

ARGUS and relay instead of surge relay



Replace surge relay with relay. Press push-button for 2 - 3 s to switch on. Also, the ARGUS switches automatically.

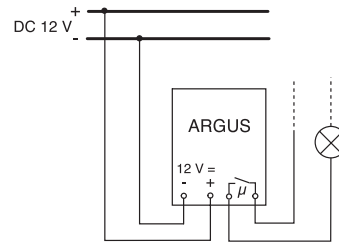
ARGUS and one-way switch



ARGUS 12 V

ARGUS with permanent operating voltage

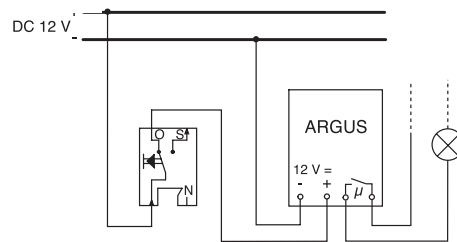
A



ARGUS monitors its area constantly.

ARGUS combined with break contact

B



The ARGUS is always ready for operation. By pressing the push-button (the power is briefly disconnected for 2...3 seconds), the ARGUS is switched on for the set time. Every further movement increases the switching time.

ARGUS combined with two break contacts (Functionality as in example B)

C

