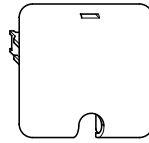
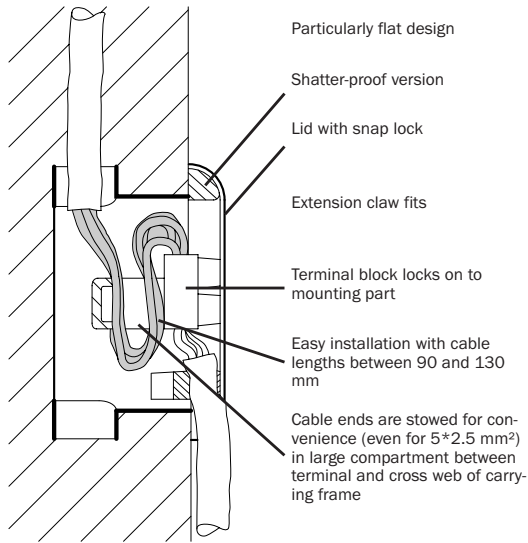


Cooker boxes

Cooker connection box, flush-mounted, nominal cross-section 2.5 mm²

polar white, art. no. 520427



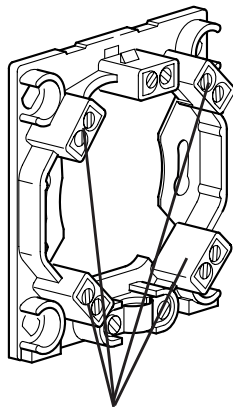
Dimensions

Base 86 x 86 mm
Height 12 mm

| Type | 520427 |
|--|---|
| Protection type | covered version similar to IP 20 |
| Material - Mounting part - Cover | Thermoplastic Thermoplastic |
| Nominal cross-section | 2.5 mm ² |
| Cabling | Flush-mounted |
| Height at the wall | 12 mm |
| Fastening | Size 58 box = claws and screws Size 70 box = claws with extension claw |

Cooker connection box, flush-mounted + surface-mounted:

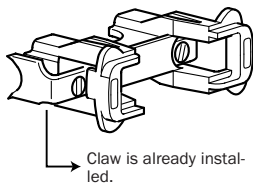
polar white, art. no. 520619



Large wiring compartment. The bottom box makes it easy to install

Large opening at the back for inserting cables.

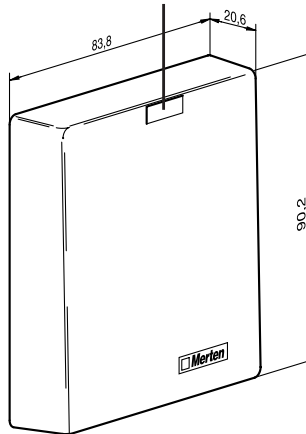
Cables can also be inserted at the top through knockout opening.



4 mounting holes in the carrying part for surface mounting.

Flush-mounted with claw fixing or with screws.

To open: Insert screwdriver and press down



Caution:

The cooker connection box must not be installed on inflammable material (DIN standard 4102).

Three-section cooker connection box, flush-mounted + surface-mounted:

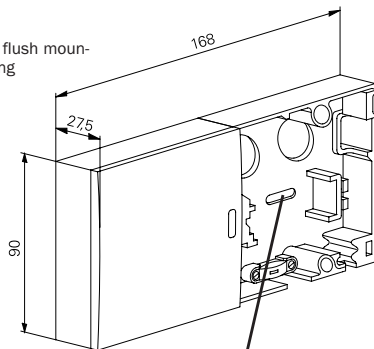
polar white, art. no. 521044

Cable entries per compartment:

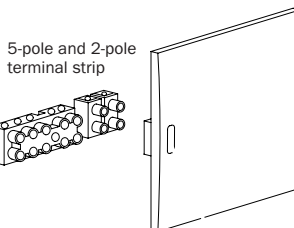
- 2 at the bottom
- 1 at the front
- 2 at the top

Contents: With claws for flush mounting and surface mounting

4 mounting holes for the wall



Slots for attaching to one or two size 58 boxes and to one size 70 box.



Large wiring compartment. The bottom box makes installation easy, because the wiring compartment edges are clearly discernible.

To open: Insert screwdriver and swivel outwards.