

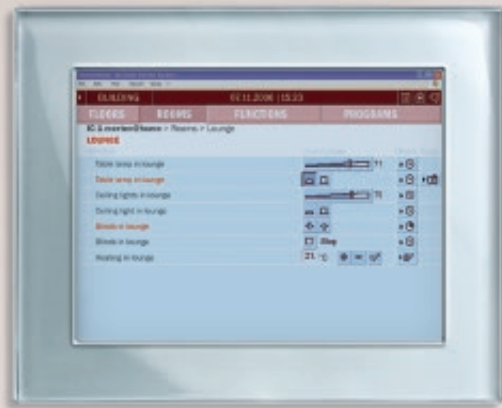
# *merten*

SOLUTIONS FOR INTELLIGENT BUILDINGS

## TRUE LEADERSHIP QUALITIES



# INTELLIGENT BUILDING MANAGEMENT RE-DEFINED CONTROL CENTRES AT THEIR FINEST



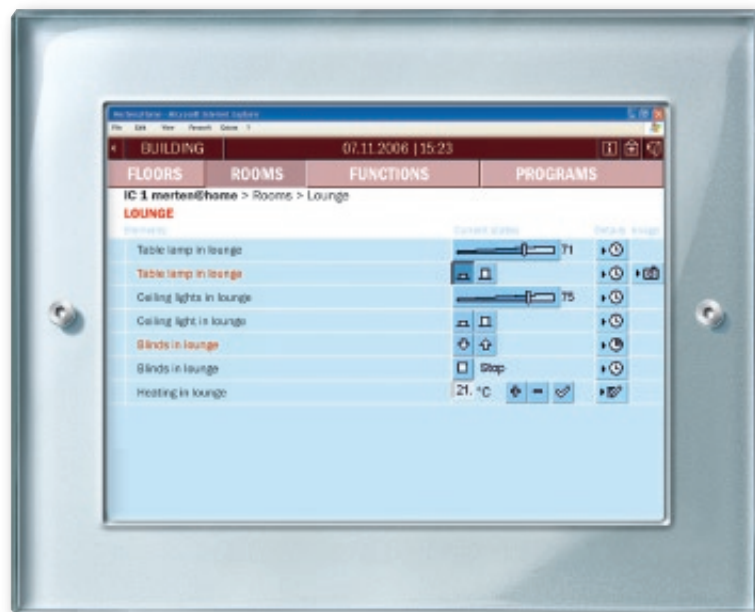


Accept no compromise when it comes to intelligent control of building functions. Ease of operation and a multitude of application possibilities – that's what puts Merten touch panels in front of the rest. Whether in a single-family house or a conference room – the clear, touch-sensitive display puts things in perspective. And thanks to the wide range of material and colour options, these touch panels blend harmoniously into any visual backdrop.



**KNX touch panel 7"**

Glass outer frame

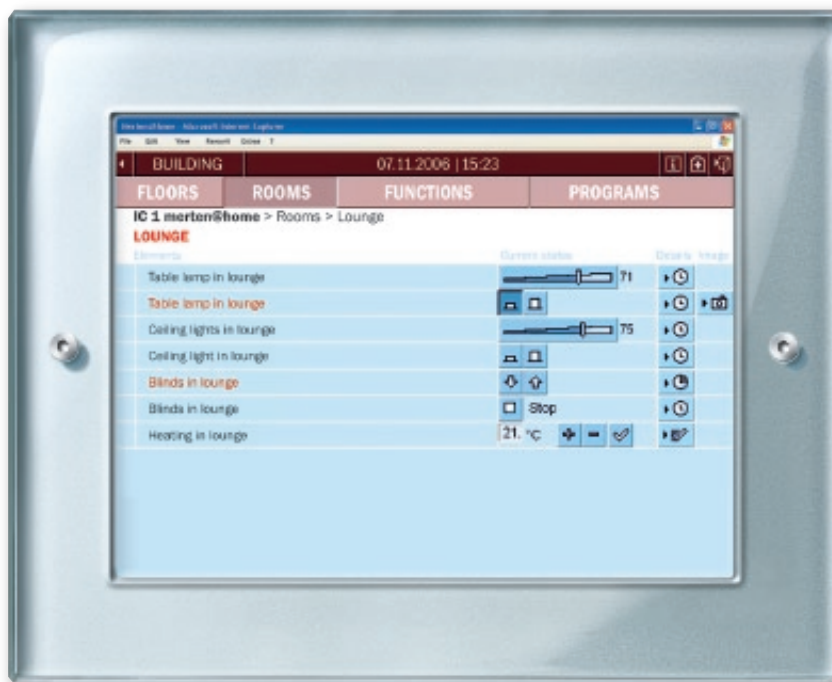


**IP touch panel 10"**

M-PLAN design with real glass frame

# IP TOUCH PANEL 10" INTELLIGENT BUILDING MANAGEMENT

The ability to influence every event. And to always have everything in view and under control – these are classic leadership qualities that are also in demand in intelligent building management. The new IP touch panel 10" has these qualities – and is visually impressive across the board.



**IP touch panel 10"**  
M-PLAN design with real glass frame

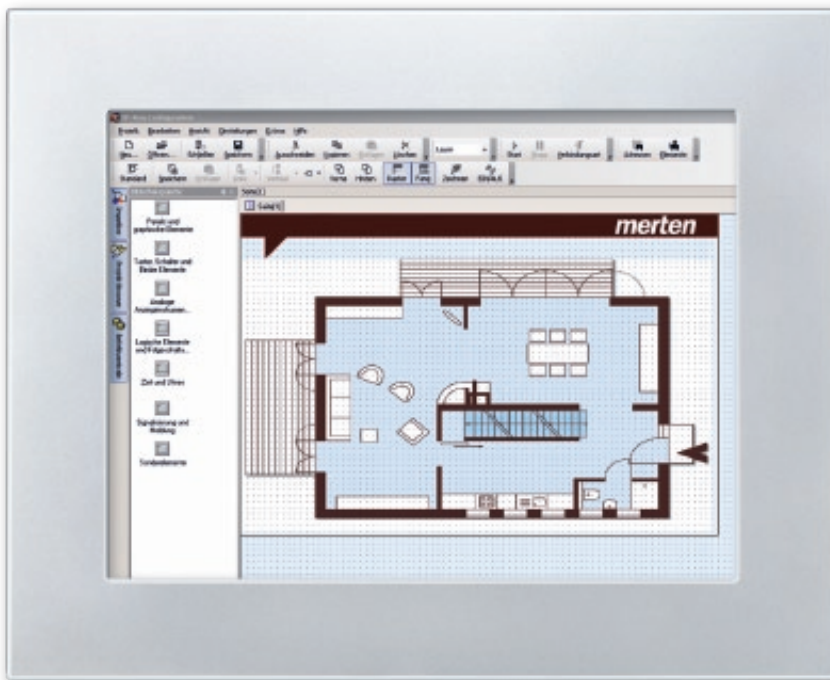
The IP touch panel 10" provides a clear, comprehensive visualisation of current building functions, which you can conveniently control via interactive commands on the touch-sensitive 10" TFT display.

The Windows CE operating system is the ideal prerequisite for quick and easy configuration of solutions such as data management and web, client/server and network functionality.

Via a browser, it is also possible to use merten@home with the IC 1 Internet Controller. A USB port integrated beneath the frame makes it easy to exchange data.



**CLEAR, COMPREHENSIVE VISUALISATION AND INTUITIVE OPERATION -  
MADE POSSIBLE BY TP VISU SOFTWARE**



**IP touch panel 10"**  
M-PLAN design, aluminium

The TP VISU visualisation software allows you to program the IP touch panel 10" to control building functions, with a user interface customised to suit your individual taste. For example, by mapping your building's floor plan with all the functions you want to control, one glance is all you will need

to intuitively select light, heating or blinds. In addition to an extensive standard library for visualising building functions, TP VISU offers a whole host of additional functions, ranging from drag-and-drop address assignment, to simple address imports from ETS3 to date and time transmission for syn

chronising all devices in a network. Of course, the software can also handle any KNX telegram type.

## IP TOUCH PANEL 10"

# THE COMPLETE PICTURE AT A GLANCE



Control building functions centrally. Know precisely which window is open, where the heating is on and which blinds are lowered. All this is possible with the IP touch panel 10" from Merten. From one central point in your home, such as the hall or kitchen, you can continually monitor conditions throughout the entire building. But that's not

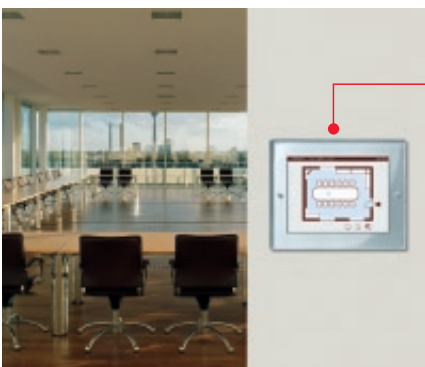


all. You're also linked to the Internet over an Ethernet connection, allowing you to send and receive e-mails, among other things. And the preinstalled software package in Windows CE lets you open all the usual Microsoft Office applications such as Excel, Word and PowerPoint, as well as PDF files.

### Setting the scene at home

The IP touch panel 10" is not just good for controlling individual building functions. It also allows you to set specific scenes, combining a variety of functions that are perfectly suited to your taste.

For example, if you want all the blinds to open, all the lights to switch off and the heating to lower when you leave the house in the morning, just set the "Absence" scene, and all of these functions will be carried out.



The IP touch panel 10" provides access to your entire building management system. Hence from the reception area, for example, you can check the occu-



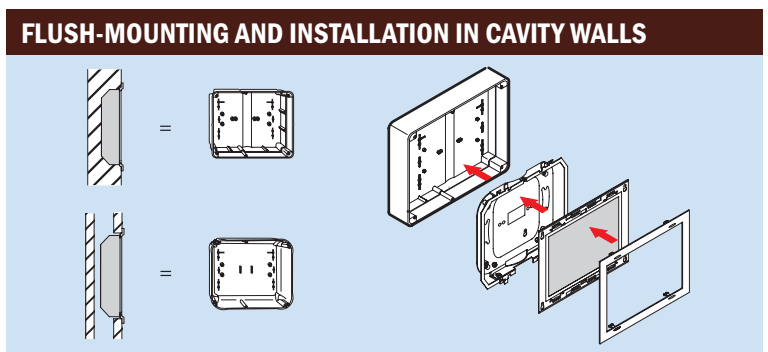
pancy of conference rooms, control lighting and blinds, display building conditions and readings or change settings – all from one central location.

### Intelligent conference room technology

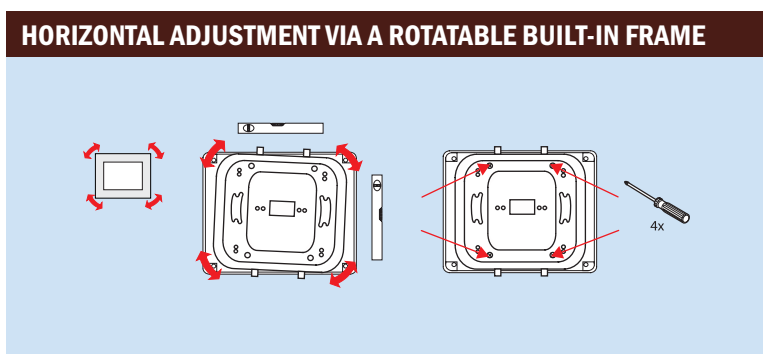
In future, presentations will be that bit easier to handle with the IP Touch Panel 10". From a technical point of view at any rate. Before you begin your talk, simply activate the "Presentation" scene. The screen will automatically move into position, the projector will switch on, the lights will dim and the blinds will lower.

# IP TOUCH PANEL 10" INTELLIGENT INSTALLATION – AS EASY AS 1-2-3

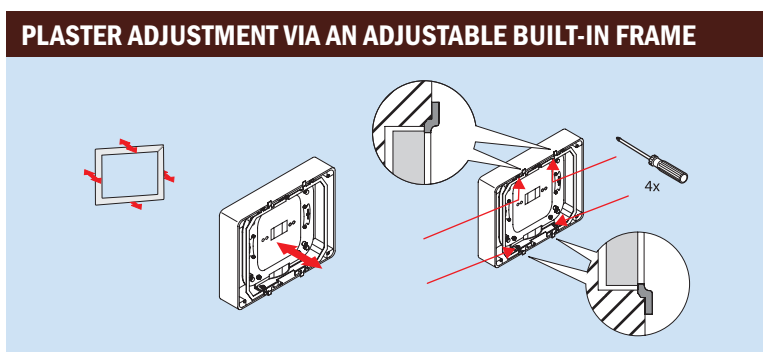
Its flat design means the IP touch panel 10" is suitable for many applications. Anything from use in the home to a dedicated function, installed either in a flush-mounted box or in a cavity wall-mounting box.



Apart from being easy to install, the Merten built-in frame enables the IP touch panel 10" to be aligned precisely on the wall – even before the final assembly work. By aligning the built-in frame horizontally, an absolutely horizontal installation of the IP touch panel 10" is achieved.



If the mounting box is too low, no problem; the built-in frame can simply be adjusted forwards or back. On request, instead of an aluminium frame in M-PLAN design, a separately available M-PLAN real glass frame can also be provided.



## KNX TOUCH PANEL 7" ALWAYS WELL INFORMED

Ease of operation and a multitude of application possibilities – that's what puts the KNX touch panel 7" in front of the rest. Whether in a single-family house or a conference room – the large display and clear control panel put things in perspective. From one central location, lighting can be switched on and dimmed; roller shutters and blinds can be controlled. Specific scenes can be retrieved, and individual devices can be switched on and off with ease.

With its clearly arranged, easy-to-read user interface, the KNX touch panel 7" makes it a breeze to control individual areas such as the kitchen, living room or cellar. The number of operating views can be adjusted to any given situation, and each view can be password-protected to prevent unauthorised access. And here's an especially attractive feature: In standby mode, the display can be used to present a picture slide show.



### Touch panel 7"

Outer frame aluminium, inner frame Thermoplastic classymatt, black



With its extensive functionality, the KNX touch panel 7" is a control centre in the truest sense. In addition to a weekly time switch and alarm signals, the touch panel also features logic functions, dynamic language selection and presence simulation. And on a practical note: The time switch is synchronised via the Internet, so the touch panel switches automatically between summer time and winter time. Via the integrated USB port, ready-made configuration files are loaded, software updates are installed and backups are created. The KNX touch panel 7" can be mounted either horizontally or vertically.

### Signature appearance

The outer design frame is available in four materials (plastic, aluminium, glass, metal) and eight colours. The inner frame comes in polar white and black. Another highlight – the user interface in a choice of black, white, cream or blue to harmonise with its surroundings.



Outer frame: Thermoplastic classymatt, black  
Inner frame: Thermoplastic classymatt, black



Outer frame: glass, brilliant white  
Inner frame: Thermoplastic classymatt, polar white



Outer frame: metal, polished brass  
Inner frame: Thermoplastic classymatt, black



Outer frame: aluminium, black  
Inner frame: Thermoplastic classymatt, black

## KNX TOUCH PANEL 7"

# SETTING THE SCENE WITH STYLE



### Private Home

With the KNX touch panel 7", you've got a view of the whole house from one central point in the hall or kitchen where the control unit is installed. All lights and blinds in the house can be controlled from this point, and the temperature can also be set conveniently via the touch panel 7". Thanks to the "Simulate presence" function, the house looks occupied even when there's no-one home, if you simply press a button on the way out. The alarm signal also reacts to faults, e.g. from heating failures or from a window with glass-breakage monitoring.

The KNX touch panel 7" shows a good image in standby mode: you can set it to play your latest holiday snaps or other images as a slide show. If you like, you can also use the touch panel to call up a pre-programmed internet page – if you want to take a look at the latest weather report before leaving the house, for example.



### Hotel room

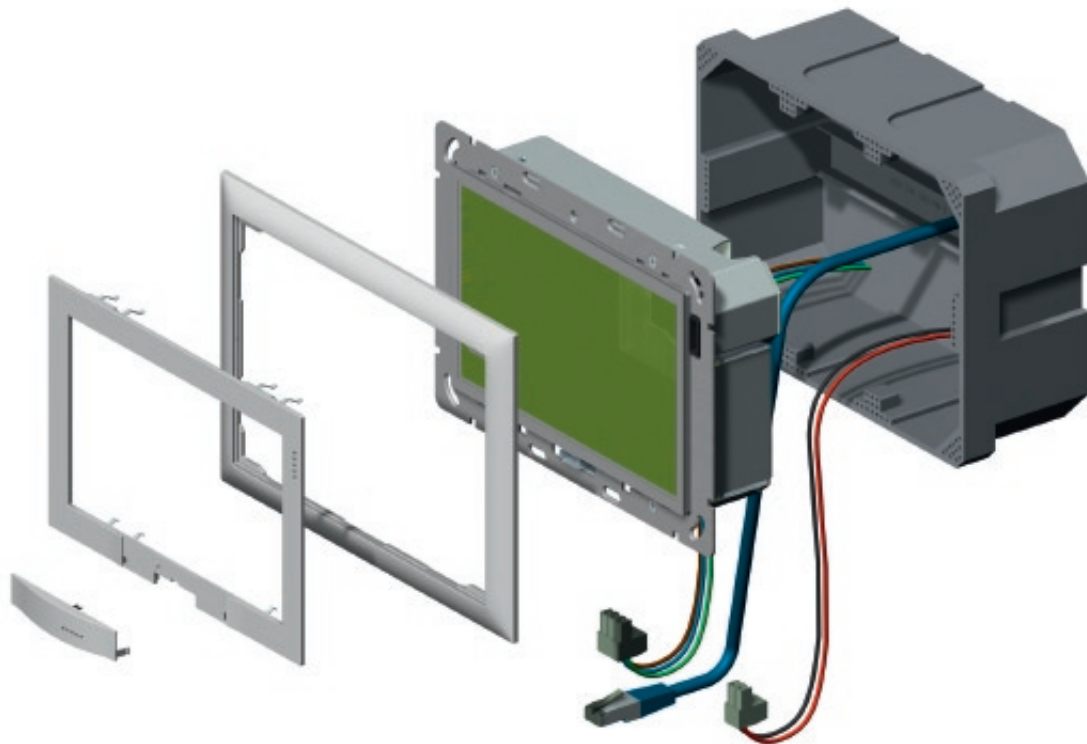
Foreign land, foreign city – and a foreign room in which you don't know where the light switches are or how the heating works. Hotel guests don't always have it easy. This is where the KNX touch panel 7" comes in as a single room solution: the guest can use the touch panel to comfortably regulate all the functions in a room. Sensitive areas and functions which should not be changed can be protected with a password. Hotel staff can also change the language of the user interface to another pre-installed language quickly and without complications.

## KNX TOUCH PANEL 7" INSTALLATION AND MOUNTING



Thanks to its flat design and the wide range of colour and material combinations, the touch panel 7" can be installed in any environment and integrated perfectly into the room concept – as a multi-functional control centre in the hall or kitchen or as an elegant technical solution for conference rooms and hotel rooms, for example. Mounting options for the touch panel 7" include a flush-mounted or cavity wall mounting box, aligned either vertically or horizontally according to individual preference.

The touch panel 7" is quick and easy to program: The desired settings are first configured and then loaded on the touch panel 7". The intuitive, user-friendly touch panel 7" is now ready to intelligently control the entire building management system.



Installing the KNX touch panel 7" is just how it should be: simple, quick and safe.

***merten***

**Merten GmbH**  
P.O. Box 10 06 53  
D-51606 Gummersbach, Germany  
Tel. +49 2261 702 -203  
Fax +49 2261 702-328  
export@merten.de  
**www.merten.com**

